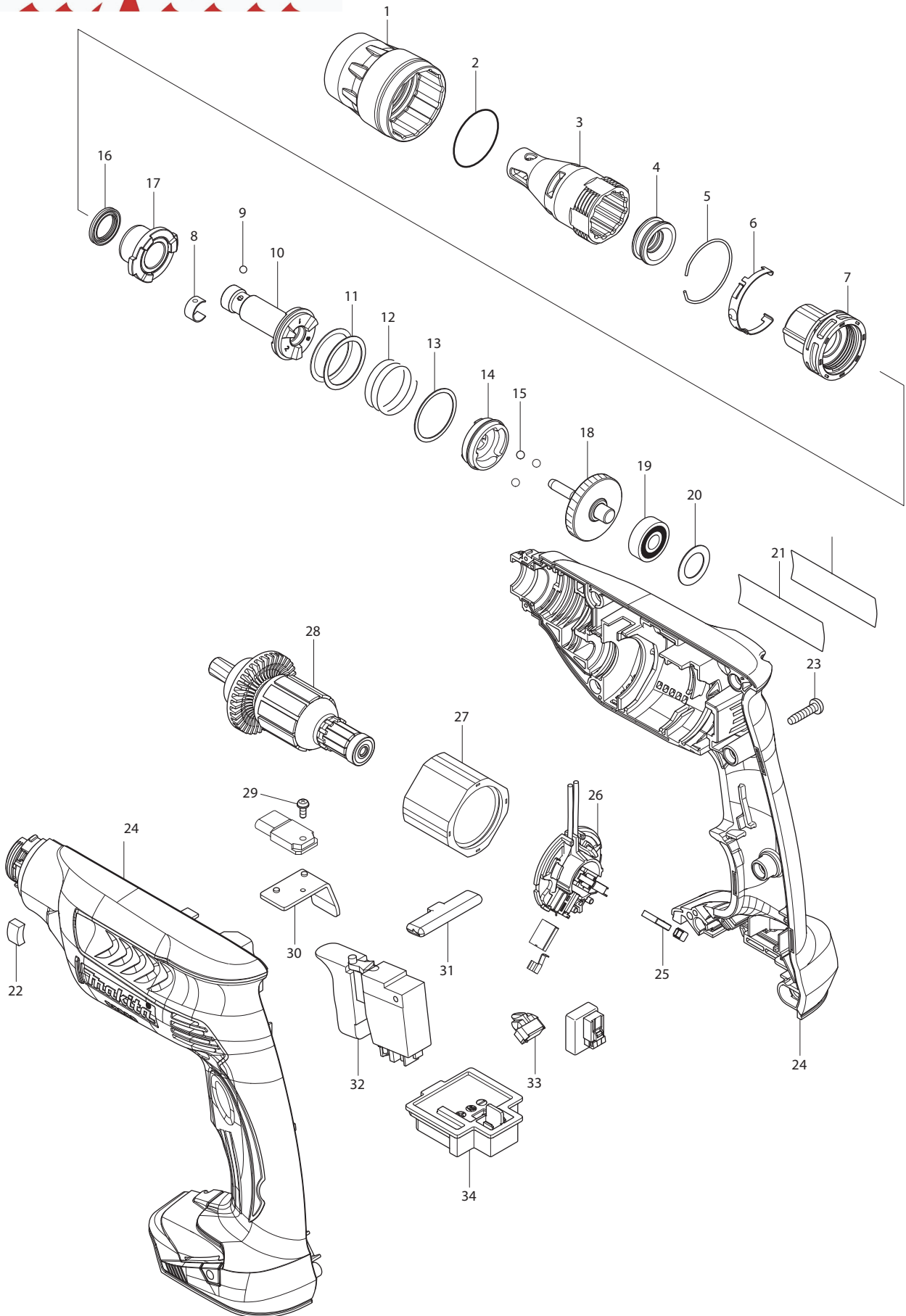




09 - 2011  
LXSF01 / LXSF01Z / LXSF01Z1  
18V DRYWALL SCREWDRIVER



Item No	Type	Ref	Part No	Description	Qty	Unit
1	1		450881-6	LOCK RING	1	PC.
	2		455591-0	LOCK RING	1	PC.
2			424235-3	SEAL RING 30	1	PC.
3			158876-0	LOCATOR L COMPLETE	1	PC.
3-1	Opt 1		195542-8	LOCATOR L ASSEMBLY	1	PC.
		INC.		Item No. 1, 2, 3, 4		
	Opt 2		197024-6	LOCATOR L ASSEMBLY	1	PC.
		INC.		Item No. 1, 2, 3, 4		
4			424163-2	DUST SEAL SLEEVE	1	PC.
5	2		234266-2	RING SPRING 33	1	PC.
6			232245-4	LEAF SPRING	1	PC.
7			141100-8	LOCATOR BASE COMPLETE (LEFT HANDED THREAD)	1	PC.
8			232050-9	LEAF SPRING	1	PC.
9			216001-0	STEEL BALL 3.5	1	PC.
10			140771-8	SPINDLE 125S COMPLETE	1	PC.
11			267331-2	FLAT WASHER 25	2	PC.
12			234017-3	COMPRESSEION SPRING 25	1	PC.
13			267332-0	FLAT WASHER 26	1	PC.
14			223170-0	CLUTCH CAM 125S	1	PC.
15			216008-6	STEEL BALL 4	3	PC.
16			213184-7	X-RING 14	1	PC.
17	2		142306-1	* BEARING COMPLETE	1	PC.
18			140772-6	GEAR COMPLETE	1	PC.
19	1		211032-4	BALL BEARING 608ZZ	1	PC.
	2		210029-0	BALL BEARING 608ZZ	1	PC.
20			253192-6	FLAT WASHER 14	1	PC.
21			869443-3	LXSF01 NAME PLATE	1	PC.
22			423413-2	RUBBER PLATE	1	PC.
23			265995-6	TAPPING SCREW 4X18	7	PC.
24			187172-9	HOUSING SET	1	SET
		INC.	263005-3	RUBBER PIN 6	2	PC.
		INC.	892614-7	CAUTION LABEL	1	PC.
25			195021-6	CARBON BRUSH CB-440 2PC/SET, W/ ORIGIN	1	SET
26			638748-0	BRUSH HOLDER COMPLETE	1	PC.
27			638426-2	YOKE UNIT	1	PC.
28	1		619277-2	* ARMATURE	1	PC.
28	2		619351-6	* ARMATURE (USE with Item No. 37)	1	PC.
29			911006-2	PAN HEAD SCREW M3X8	1	PC.
30			689150-0	HEAT SINK	1	PC.
31			452516-5	CHANGE LEVER F/R	1	PC.
32			650657-3	SWITCH TG553FSB-9B	1	PC.
33			620030-1	LIGHT CIRCUIT	1	PC.
34			643852-2	TERMINAL	1	PC.
37			267104-3	* FLAT WASHER 12 (Added)	1	PC.
100			266622-8	+ TRUSS HEAD SCREW M4X12 F/Item No. A02	1	PC.
101			892870-9	PLASTIC CASE LABEL F/LXSF01	2	PC.
C01			872026-0	CARTON FOR LXSF01Z	1	PC.
D01			652045-0	+PAN HEAD SCREW M3.5X5	2	PC.

Item No	Type	Ref	Part No	Description	Qty	Unit
<b>ACCESSORIES</b>		<b>- See catalogue or visit <a href="http://www.makita.ca">www.makita.ca</a> for more accessories -</b>				
A02	1		346317-0	HOOK, COMPACT BELT CLIP, BL1830/BL1430	1	PC.
	2		346449-3	HOOK, COMPACT BELT CLIP, 18V, 14.4V LI-ION BATTERY	1	PC.
A03	1		784211-2	PHILLIPS INSERT BIT P-2(2-25)	2	PC.
	2		784261-7	+ BIT 2-25	2	PC.
			784212-0	PHILLIPS INSERT BIT 1-25	1	PC.
			784213-8	PHILLIPS INSERT BIT 3-25	1	PC.
A04			784801-1	MAGNETIC BIT HOLDER 6.35-76	1	PC.
			784807-9	MAGNETIC BIT HOLDER 6.35-60	1	PC.
A05			450128-8	BATTERY COVER	1	PC.
A06	1		DC18RA	CHARGER DC18RA	1	PC.
	2		DC18RC	CHARGER DC18RC	1	PC.
			DC18SD	CHARGER DC18SD	1	PC.
			DC18SE	12V AUTOMOTIVE CHARGER DC18SE	1	PC.
			DC18RAKIT	CHARGER+BATTERY(DC18RA+BL1830)	1	SET
			DC24SC	CHARGER DC24SC	1	PC.
A07			194205-3	18V LI-ION BATTERY BL1830	1	PC.
			194230-4	18V LI-ION BATTERY BL1830 2/PK	1	PK
			194309-1	18V LI-ION BATTERY BL1815	1	PC.
			194428-3	18V LI-ION BATTERY BL1815 2/PK	1	PK
A08	1		824978-1	PLASTIC CARRYING CASE	1	PC.
		INC.	162315-4	LATCH	2	PC.
		INC.	452137-3	HANDLE	1	PC.
	2		141490-9	PLASTIC CARRYING CASE COMPLETE	1	PC.
		INC.	162315-4	LATCH	2	PC.
		INC.	452137-3	HANDLE	1	PC.

**SERVICE CHANGES**

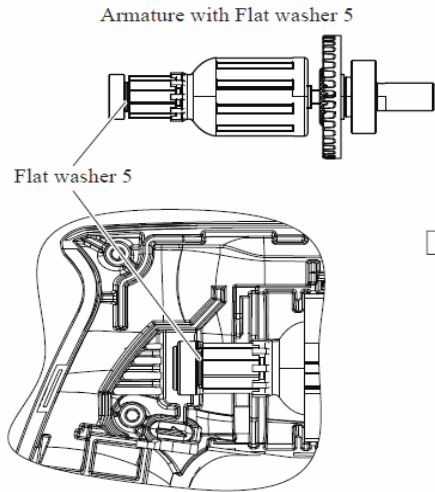
**1. Changes on Gear Case Assembly**

(TI#A3411)

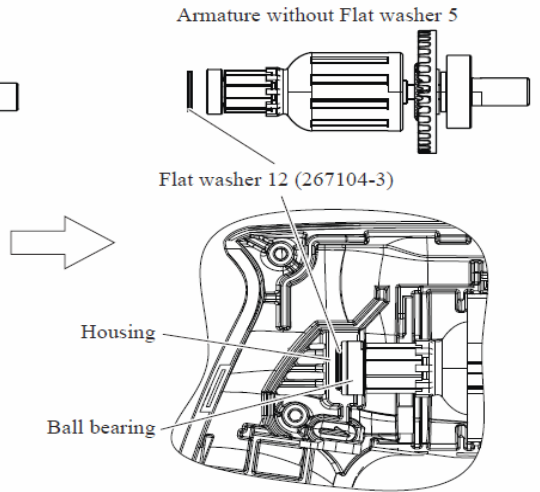
Item No.	Description	Type 1	Type 2
28	Armature	619277-2	619351-6
37	Flat washer 12	-----	267104-3

Above parts are completely interchangeable as a set.

Type 1



Type 2



Set Flat washer 12 between Ball bearing of Armature and Housing as shown above.